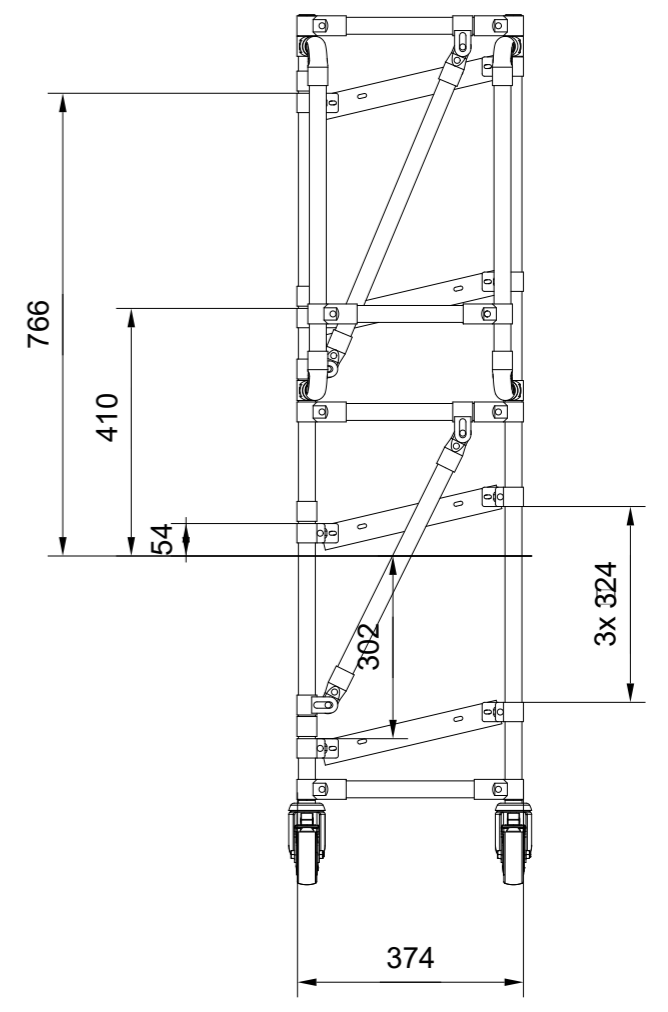
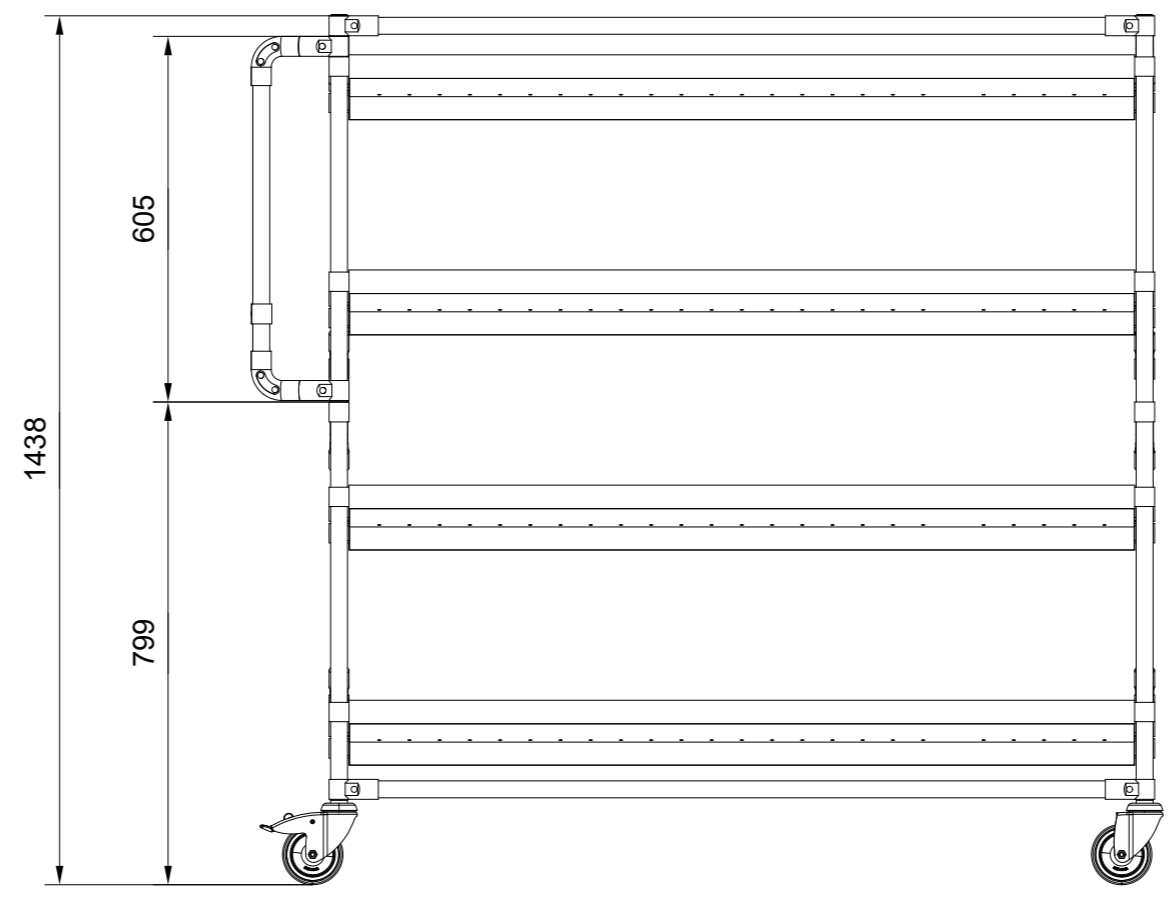


4x galvanized shelf
1300x300 mm



2x swivel wheels with brake $\varnothing 100$ mm
2x swivel wheel without brake $\varnothing 100$ mm

Tolerances for shape and condition:
- DIN ISO 2768-2-K
Tolerancing:
- DIN 7167

Workshop accuracies for general tolerances - Tolerances for length and angle dimension DIN ISO 2768-1-v
-Machining details and finish classification to DIN ISO 1302

| | | | | |
|----------------------------|---|-----------|---|--|
| E <input type="checkbox"/> | Total load capacity*: 300 kg <input type="checkbox"/> (Celková nosnost:*) | | Load capacity - floor*: 60 kg <input type="checkbox"/> (nosnost na patro:*) | |
| | Scale | A3 | Drawn Vlach | Checked |
| | Title Enprag e-shop <input type="checkbox"/> | | | Dat. 6.3.2024 <input type="checkbox"/> |
| | Title Picking trolley <input type="checkbox"/> | | | Sheet1 of 1 Rev. A00 |
| | | | | Doc.Nr. SP13030 <input type="checkbox"/> |

This document is the sole property of Enprag s.r.o. and may not be copied, duplicated, used or given to third parties without the written permission from Enprag s.r.o. Misuse is subject to penalties and will be legally pursued