

1 2 3 4 5 6 7 8

A

B

C

D

E

F

A

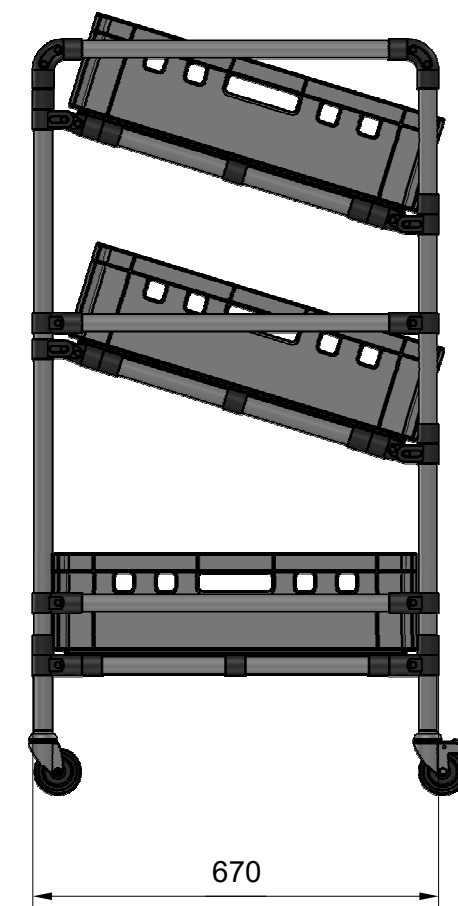
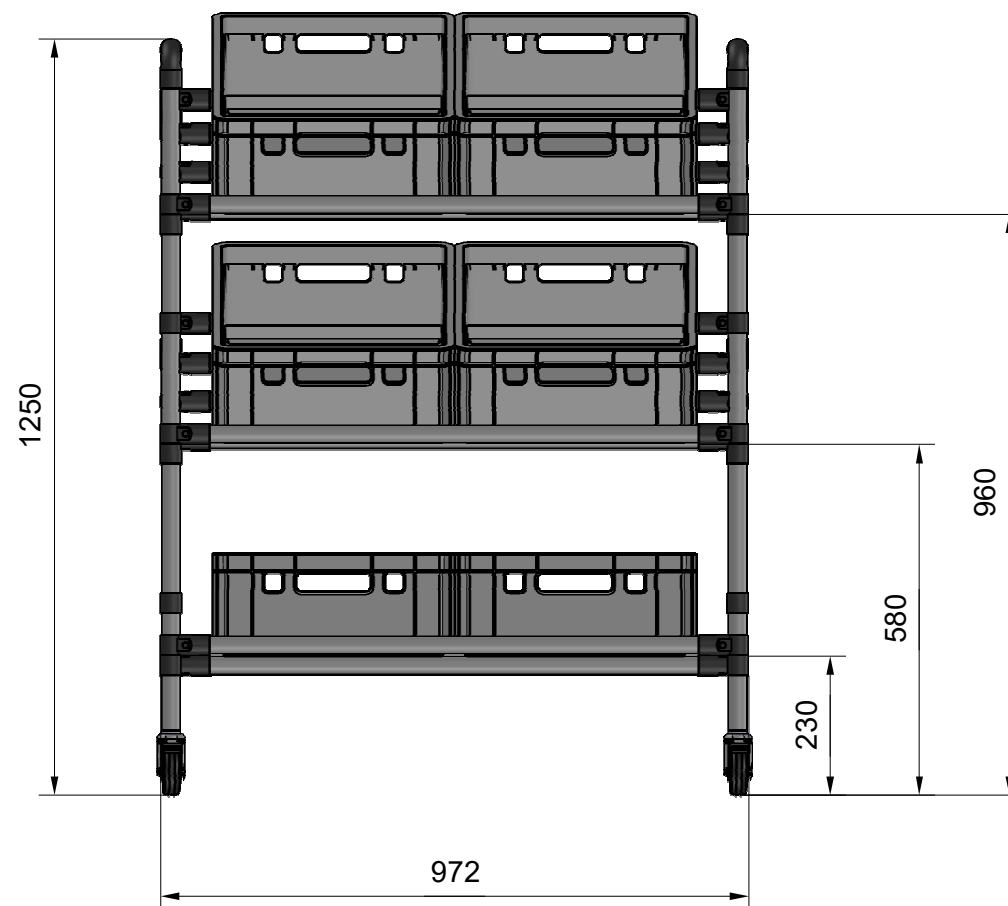
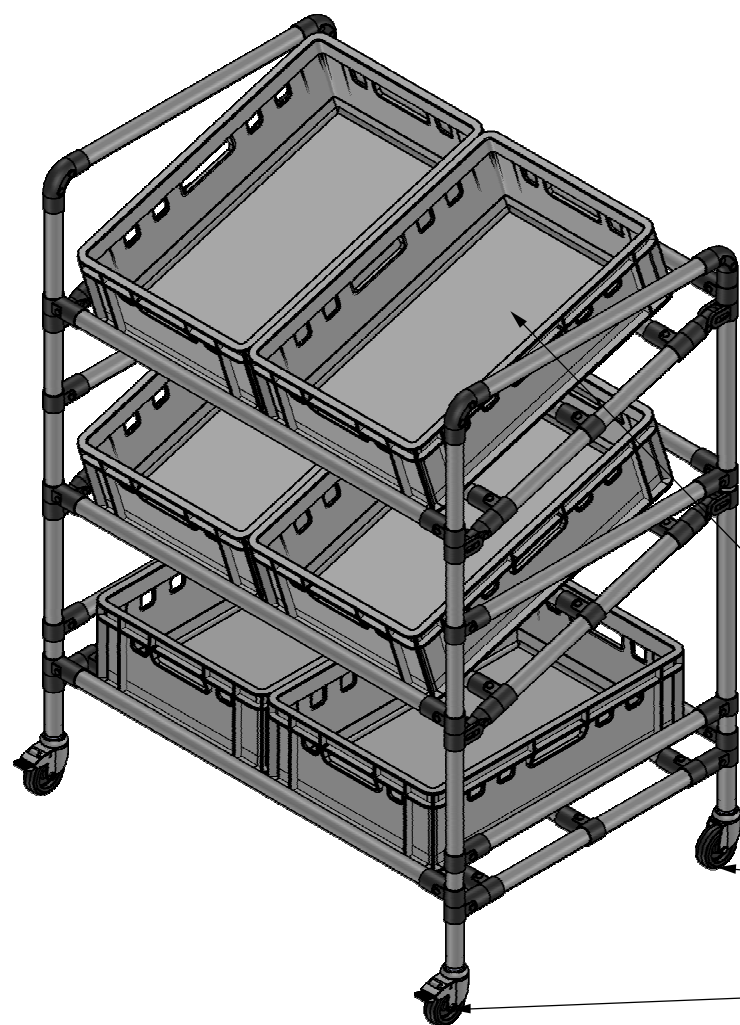
B

C

D

E

F



KLT 600x400x170mm  
(není součástí)

2x 75mm kolečko bez brzdy

2x 75mm kolečko s  
brzdou

Workshop accuracies for general tolerances - Tolerances for length and angle dimensions; DIN ISO 2768-1-v  
-Machining details and finish classification to DIN ISO 1302

E	Total load capacity*: (Celková nosnost:*) <b>180 kg</b>		Load capacity - floor*: (nosnost na patro:*) <b>60 kg</b>	
	Scale	<b>A3</b>	Drawn Kempný	Checked Dat. <b>02.04.2024</b>
Title <b>Enprag</b>			Sheet 1 of 1	Rev. <b>A00</b>
Title <b>Vozík s plastovými přepravkami</b>			Doc.Nr <b>24040230</b>	

This document is the sole property of Enprag s.r.o. and may not be copied, duplicated, used or given to third parties without the written permission from Enprag s.r.o. Misuse is subject to penalties and will be legally pursued

Tolerances for shape and condition:  
- DIN ISO 2768-2-K  
Tolerancing:  
- DIN 7167

1 2 3 4 5 6 7 8